

**G2**

**DXU**  
MODEL

**1% internal humidity**  
(rapid dehumidifying model)

For normal surface mounting sites

Mounting sites with a cabinet opening frequency of once every 30-45 minutes

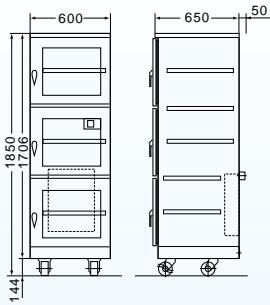
Recommended IC package storage levels: 5, 4 and 3 (JEDEC standard)

Low-energy design: Power consumption approx. 40% lower (Compared with exiting product)

With 1 drying unit



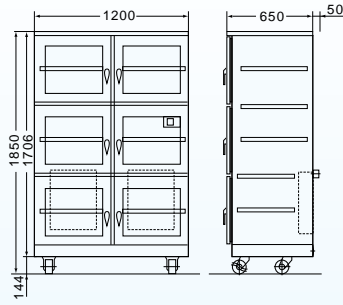
DXU-501A  
600 (3-door)



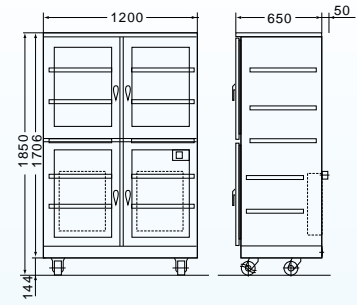
With 2 drying units



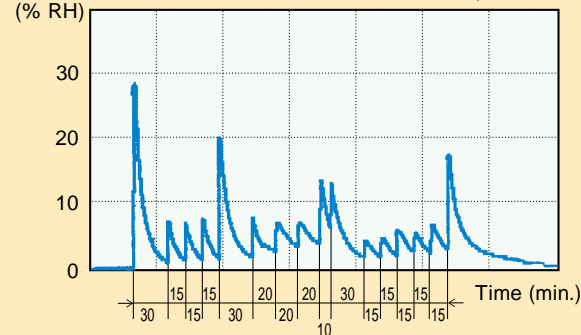
DXU-1001A  
1200 (6-door)



DXU-1002A  
1200 (4-door)



Humidity (% RH) Outside air conditions: 28 °C, 70% RH



DXU-1001A opening-closing data (unloaded)



<Location and time of door opening/closing>

- (1) 2 doors C and D.....2 min., both doors
- (2) 1 of A, B, C, D, E and F.....15 sec.
- (3) 2 doors A and B.....1 min., both doors
- (4) 1 of E and F.....15 sec.
- (5) 2 doors E and F.....1 min., both doors
- (6) 2 doors E and F.....30 sec., both doors
- (7) 1 of A, B, E and F.....15 sec.
- (8) 2 doors C and D.....30 sec., both doors

| Model               | DXU-501A  | DXU-1001A                 | DXU-1002A                |
|---------------------|---|---------------------------|--------------------------|
| Humidity regulator  | Automatic dial regulator  |                           |                          |
| External dimensions | 600W x 700D x 1850H (mm)  | 1200W x 700D x 1850H (mm) |                          |
| Internal dimensions | 550W x 600D x 1700H (mm)  | 1150W x 600D x 1700H (mm) |                          |
| Capacity            | Approx. 600   | Approx. 1200              |                          |
| Drying unit         | US-5000F  | US-5000F x 2              |                          |
| Material            | Steel with conductive coating (color: silver)                             |                           |                          |
| Doors (magnetic)    | 3-door with glass panels  | 6-door with glass panels  | 4-door with glass panels |
| Weight              | 110 kg  | 200 kg                    | 180 kg                   |
| Power supply        | AC 100 V (50/60 Hz)   |                           |                          |
| Power consumption   | 28 W/h (MAX 350 W)  | 56 W/h (MAX 700 W)        |                          |
| Accessories         | 5 shelves, locks, humidity meter, casters (with stopper), ground terminal |                           |                          |

**Features**

- Ultra-powerful rapid dehumidification drying unit
- Digital humidity meter with large display panel
- 1 M ground terminal
- Shelf load capacity: 100 kg
- No central pillar allows full shelf width to be used.

**Custom orders**

N<sub>2</sub> gas socket can also be installed.